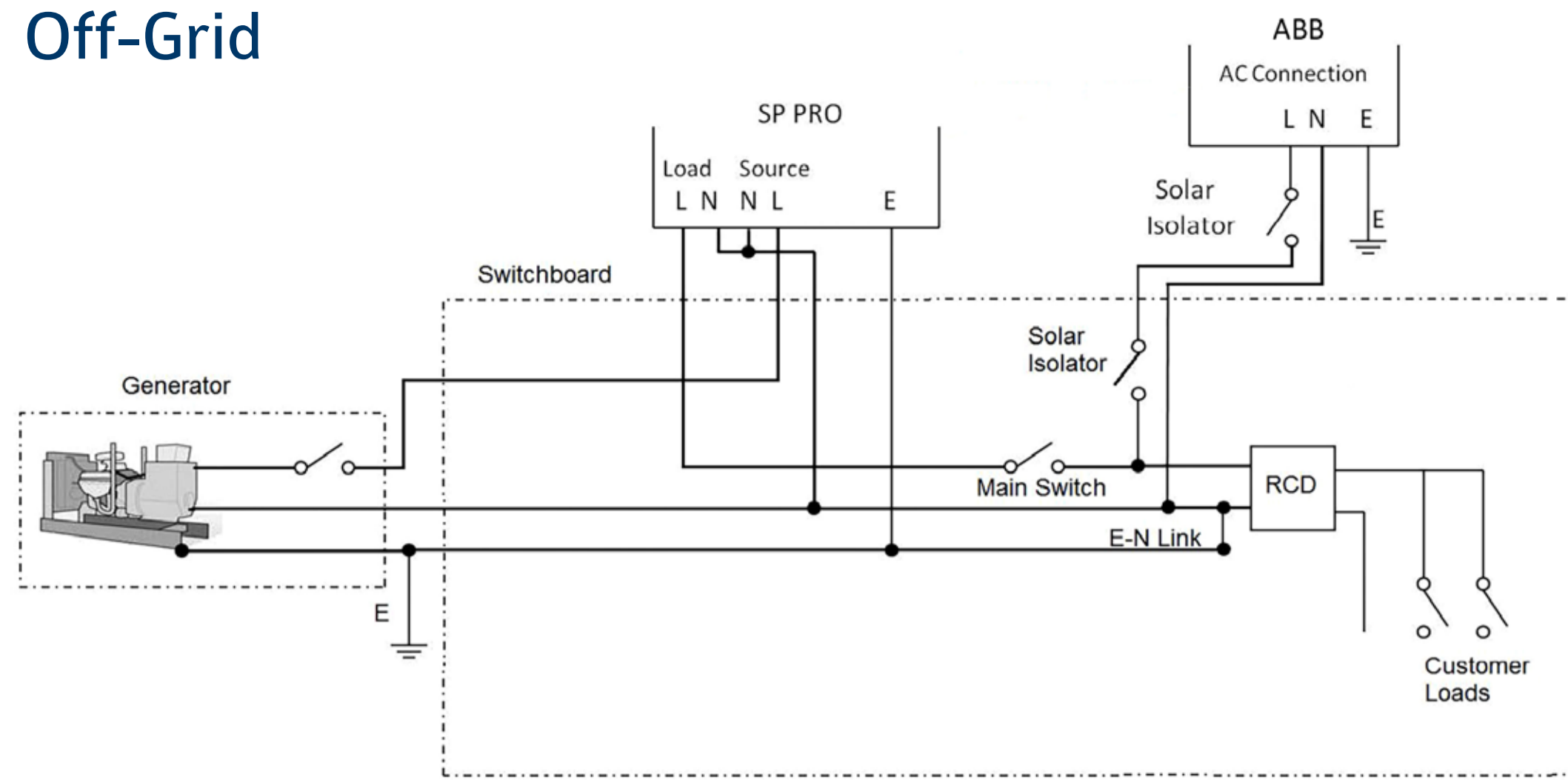
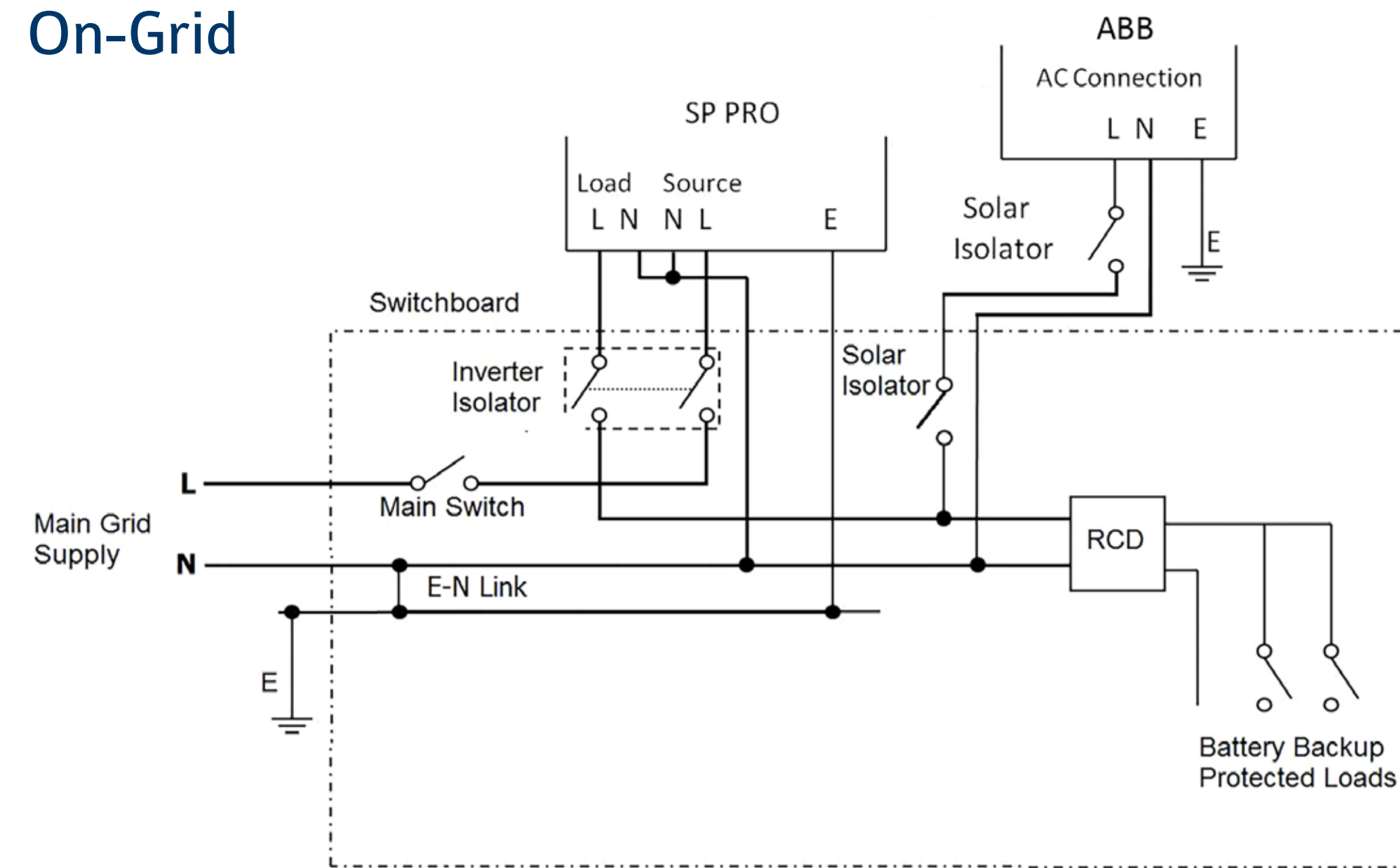


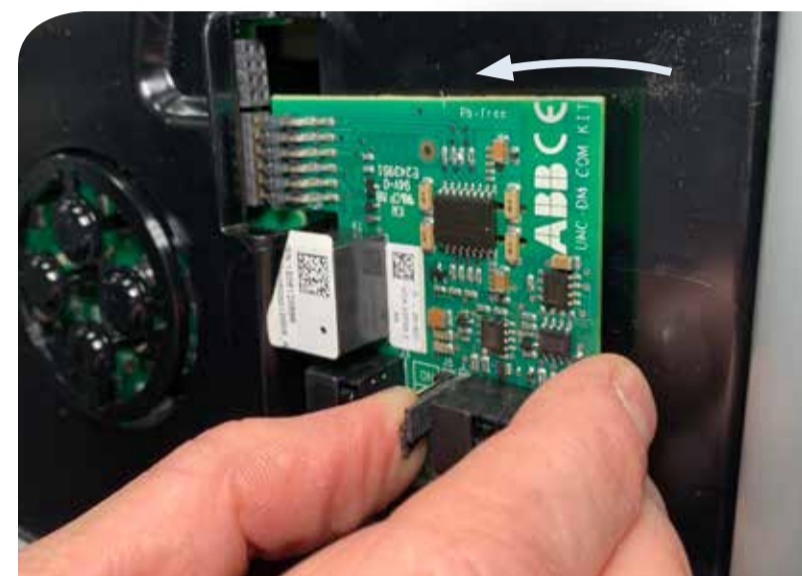
Off-Grid



On-Grid



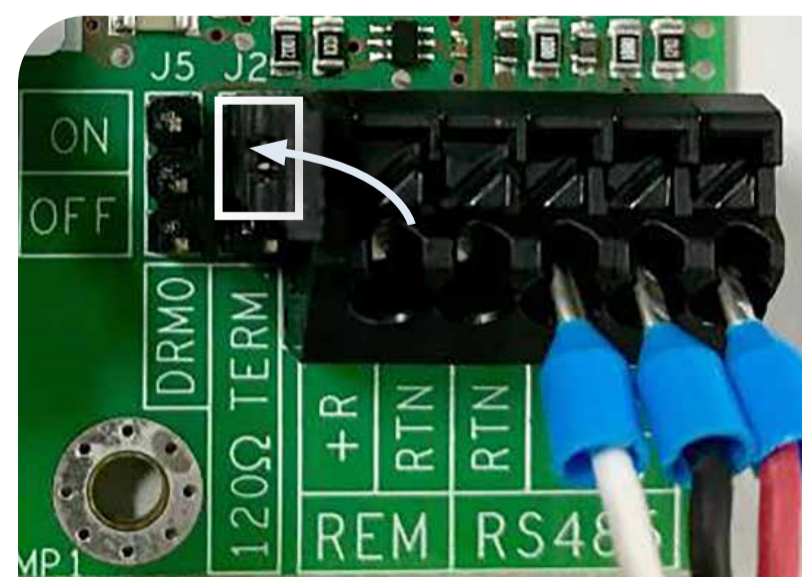
SP PRO Series 2i ABB UNO-DM and ABB UNO-DM PLUS Q Installation Overview



Install Card



Secure



TERMINATOR ON
White = "RTN"
Red = "RS485 -T/R"
Black = "RS485 +T/R".

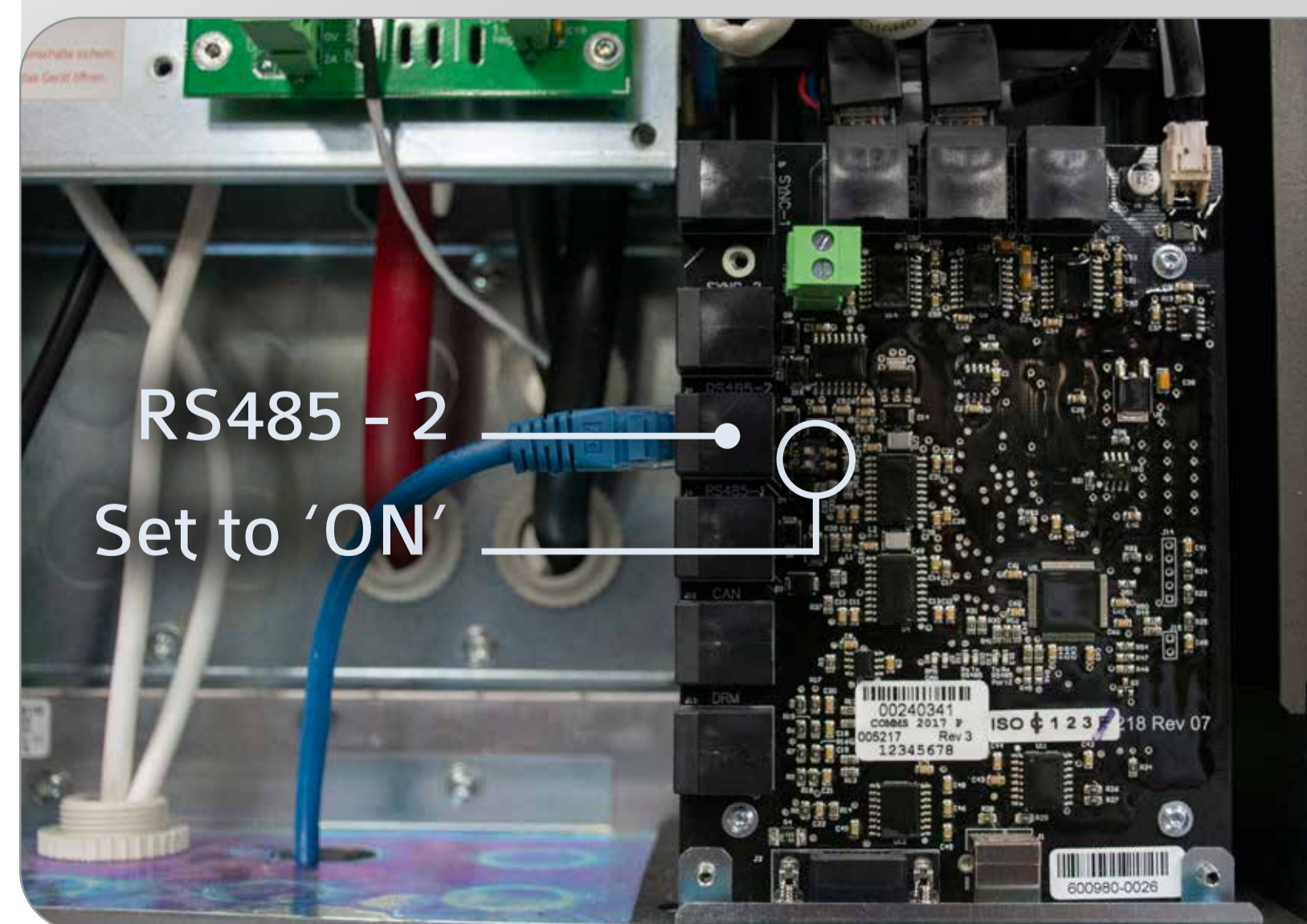
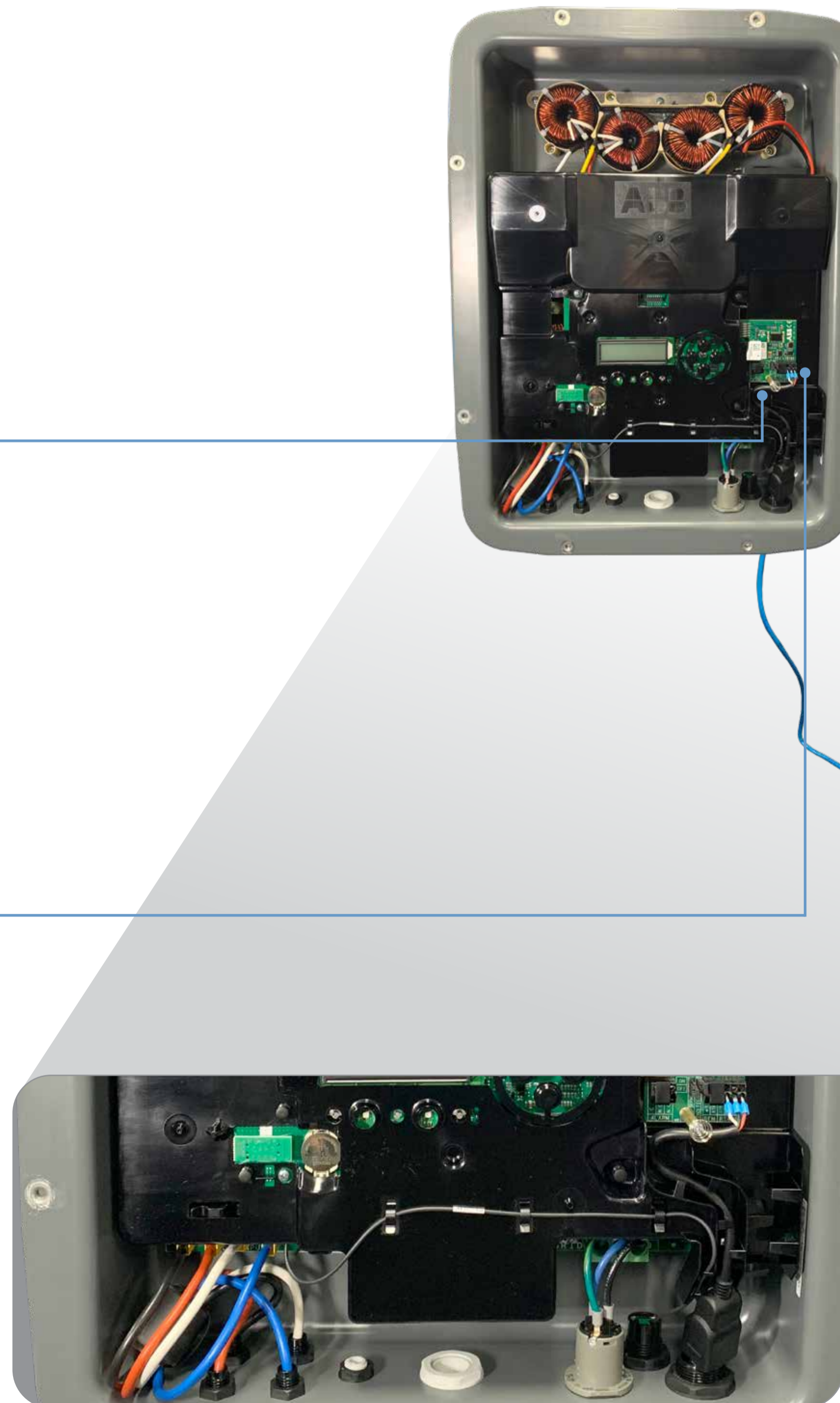


ABB SETTINGS

RS485 Main

RS485 Node Address:

RS485 Baud Rate:

RS485 Parity Mode:

RS485 Protocol Type:

AC SOLAR LINK TEST

AC Solar Link Test
Errors or non-responses from grid-tie inverters can indicate quality of link. Counting while grid tie inverter is off, such as at night, is normal.

Link #1:



SP LINK SETTINGS

L1

String Inverter*:

Number of Devices*:

Fail Safe Testing
- Unplug
- Check:
Output Power ≤ 0.1kW

Please ensure to run the SP LINK site configuration Wizard. For the full installation notes guide (Document ref. IN0053), please visit www.selectronic.com.au.